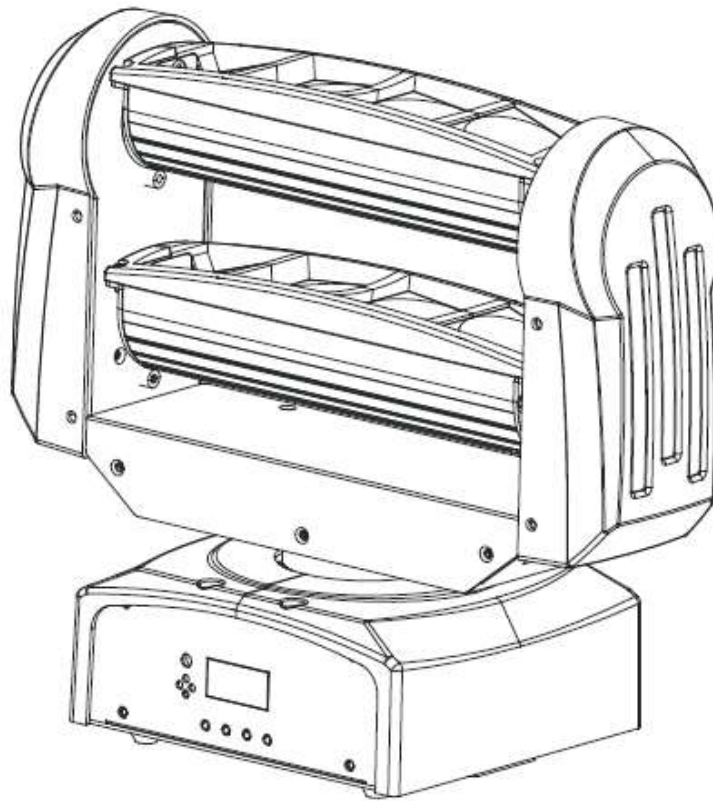




CRAZY POCKET 8



User Instructions

A.D.J. Supply Europe B.V.
Junostraat 2
6468 EW Kerkrade
The Netherlands
www.americandj.eu

©2016 **ADJ Products, LLC** all rights reserved. Information, specifications, diagrams, images, and instructions herein are subject to change without notice. ADJ Products, LLC logo and identifying product names and numbers herein are trademarks of ADJ Products, LLC. Copyright protection claimed includes all forms and matters of copyrightable materials and information now allowed by statutory or judicial law or hereinafter granted. Product names used in this document may be trademarks or registered trademarks of their respective companies and are hereby acknowledged. All non-ADJ Products, LLC brands and product names are trademarks or registered trademarks of their respective companies.

ADJ Products, LLC and all affiliated companies hereby disclaim any and all liabilities for property, equipment, building, and electrical damages, injuries to any persons, and direct or indirect economic loss associated with the use or reliance of any information contained within this document, and/or as a result of the improper, unsafe, insufficient and negligent assembly, installation, rigging, and operation of this product.

Contents

GENERAL INFORMATION	4
GENERAL INSTRUCTIONS	4
FEATURES.....	4
HANDLING PRECAUTIONS.....	4
SAFETY PRECAUTIONS	4
DMX SET UP	5
DIMENSIONS	6
REAR LAYOUT & FUNCTIONS	7
SYSTEM MENU	8
OFFSET SUBMENU	11
OPERATION	11
MASTER-SLAVE CONFIGURATION.....	12
UC IR CONTROL.....	12
1 CHANNEL MODE	13
9 CHANNEL MODE	13
17 CHANNEL MODE	14
21 CHANNEL MODE	15
PHOTOMETRIC CHART	17
DIMMER CURVE CHART	17
FUSE REPLACEMENT	17
CLEANING.....	17
TROUBLE SHOOTING.....	18
SPECIFICATIONS	18
ROHS - A great Contribution to the Conservation of Environment	19
WEEE – Waste of Electrical and Electronic Equipment	19

GENERAL INFORMATION

Unpacking: Thank you for purchasing the Crazy Pocket 8 by ADJ Products, LLC. Every Crazy Pocket 8 has been thoroughly tested and has been shipped in perfect operating condition. Carefully check the shipping carton for damage that may have occurred during shipping. If the carton appears to be damaged, carefully inspect your fixture for any damage and be sure all equipment necessary to operate the unit has arrived intact. In the event damage has been found or parts are missing, please contact our toll free customer support number for further instructions. Please do not return this unit to your dealer without contacting customer support first.

Introduction: The ADJ Crazy Pocket 8 creates exciting lighting effects with it's 8 quick sweeping beams and it's dual 4-zone LEDs. The Crazy Pocket 8 can operate as a stand alone fixture or in a Master/Slave configuration. The Crazy Pocket 8 has three operating modes; sound active mode, show mode, and DMX control. This fixture is suitable for theaters, studios, retail stores, and other similar locations. *For best results use fog or special effects smoke to enhance the beams projections.*

Customer Support: If you encounter any problems, please contact your trusted American Audio shop. We also offer the possibility, to contact us directly: You can contact us via our website www.americandj.eu or via email: support@americandj.eu

Warning! To prevent or reduce the risk of electrical shock or fire, do not expose this unit to rain or moisture.

Warning! *This may cause severe eye damage. Avoid looking directly into the light source at all times!*

GENERAL INSTRUCTIONS

To optimize the performance of this product, please read these operating instructions carefully to familiarize yourself with the basic operations of this unit. These instructions contain important safety information regarding the use and maintenance of this unit. Please keep this manual with the unit, for future reference.

FEATURES

- Multi-Colors
- 3 Operating Modes - Sound Active, Show Mode, and DMX Control
- 4 DMX Channel Modes (1 Channel Mode, 9 Channel Mode, 17 Channel Mode, & 21 Channel Mode)
- Stand Alone or Master-Slave Setup
- Internal Microphone
- Digital Display for Address and Function Setting
- UC IR Remote Compatible (Not Included) & Airstream IR Compatible (Transmitter Included)

HANDLING PRECAUTIONS

Caution! There are no user serviceable parts inside this unit. Do not attempt any repairs yourself, doing so will void your manufactures warranty. In the unlikely event your unit may require service please contact ADJ Products, LLC.

ADJ Products, LLC will not accept any liability for any resulting damages caused by the non-observance of this manual or any unauthorized modification to this unit.

SAFETY PRECAUTIONS

For Your Own Personal Safety, Please Read and Understand This Manual Completely Before You Attempt To Install Or Operate This Unit!

- To reduce the risk of electrical shock or fire, do not expose this unit rain or moisture.
- Do not spill water or other liquids into or on to your unit.
- Be sure that the local power outlet match that of the required voltage for your unit.
- Do not attempt to operate this unit if the power cord has been frayed or broken.
- Do not attempt to remove or break off the ground prong from the electrical cord. This prong is used to reduce the risk of electrical shock and fire in case of an internal short.
- Disconnect from main power before making any type of connection.
- Do not remove the cover under any conditions. There are no user serviceable parts inside.

SAFETY PRECAUTIONS (continued)

- Never operate this unit when its cover is removed.
- Always be sure to mount this unit in an area that will allow proper ventilation. Allow about 6" (15cm) between this device and a wall.
- Do not attempt to operate this unit, if it becomes damaged.
- This unit is intended for indoor use only, use of this product outdoors voids all warranties.
- Always mount this unit in safe and stable matter.
- Power-supply cords should be routed so that they are not likely to be walked on or pinched by items placed upon or against them, paying particular attention to cords at plugs, convenience receptacles, and the point where they exit from the appliance.
- Cleaning -The fixture should be cleaned only as recommended by the manufacturer. See page 17 for cleaning details.
- Heat –This fixture should be situated away from heat sources such as radiators, heat registers, stoves, or other appliances (including amplifiers) that produce heat.
- The fixture should be serviced by qualified service personnel when:
 - A. Objects have fallen, or liquid has been spilled into the appliance.
 - B. The appliance has been exposed to rain or water.
 - C. The appliance does not appear to operate normally or exhibits a marked change in performance.

DMX SET UP

Power Supply: The ADJ Crazy Pocket 8 contains a electronic voltage switch, which will auto sense the voltage when it is plugged into the power source. With this switch there is no need to worry about the correct power voltage, this unit can be plugged in anywhere.

DMX-512: *DMX is short for Digital Multiplex. This is a universal protocol used by most lighting and controller manufactures as a form of communication between intelligent fixtures and controllers. A DMX controller sends DMX data instructions from the controller to the fixture. DMX data is sent as serial data that travels from fixture to fixture via the DATA "IN" and DATA "OUT" XLR terminals located on all DMX fixtures (most controllers only have a DATA "OUT" terminal).*

DMX Linking: DMX is a language allowing all makes and models of different manufactures to be linked together and operate from a single controller, as long as all fixtures and the controller are DMX compliant. *To ensure proper DMX data transmission, when using several DMX fixtures try to use the shortest cable path possible. The order in which fixtures are connected in a DMX line does not influence the DMX addressing. For example; a fixture assigned a DMX address of 1 may be placed anywhere in a DMX line, at the beginning, at the end, or anywhere in the middle. Therefore, the first fixture controlled by the controller could be the last fixture in the chain. When a fixture is assigned a DMX address of 1, the DMX controller knows to send DATA assigned to address 1 to that unit, no matter where it is located in the DMX chain.*

Data Cable (DMX Cable) Requirements (For DMX and Master/Slave Operation): The Crazy Pocket 8 can be controlled via DMX-512 protocol. The Crazy Pocket 8 has 4 DMX Channel Modes. The DMX address is set electronically using the controls on the front panel of the unit. Your unit and your DMX controller require a approved DMX-512 110 Ohm Data cable for data input and data output (Figure 1). We recommend Accu-Cable DMX cables. If you are making your own cables, be sure to use standard 110-120 Ohm shielded cable (This cable may be purchased at almost all professional sound and lighting stores). Your cables should be made with a male and female XLR connector on either end of the cable. Also remember that DMX cable must be daisy chained and cannot be split.



Figure 1

DMX SET UP (continued)

Notice: Be sure to follow figures two and three when making your own cables. Do not use the ground lug on the XLR connector. Do not connect the cable's shield conductor to the ground lug or allow the shield conductor to come in contact with the XLR's outer casing. Grounding the shield could cause a short circuit and erratic behavior.

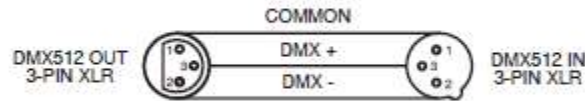


Figure 2



Figure 3

XLR Pin Configuration
Pin1 = Ground
Pin2 = Data Compliment (negative)
Pin3 = Data True (positive)

Special Note: Line Termination. When longer runs of cable are used, you may need to use a terminator on the last unit to avoid erratic behavior. A terminator is a 110-120 ohm 1/4 watt resistor which is connected between pins 2 and 3 of a male XLR connector (DATA + and DATA -). This unit is inserted in the female XLR connector of the last unit in your daisy chain to terminate the line. Using a cable terminator (ADJ part number Z-DMX/T) will decrease the possibilities of erratic behavior.



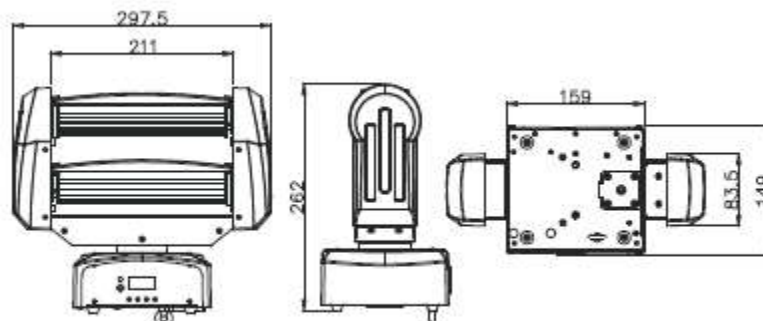
Termination reduces signal errors and avoids signal transmission problems and interference. It is always advisable to connect a DMX terminal, (Resistance 120 Ohm 1/4 W) between PIN 2 (DMX-) and PIN 3 (DMX+) of the last fixture.

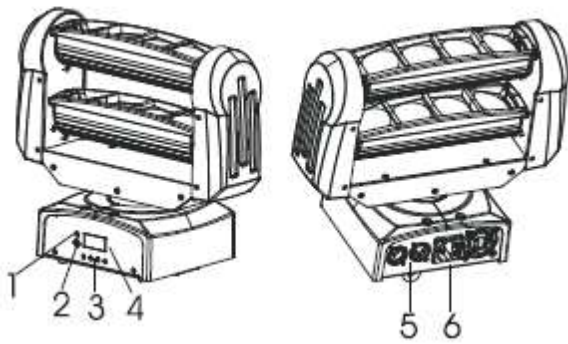
Figure 4

5-Pin XLR DMX Connectors. Some manufactures use 5-pin DMX-512 data cables for DATA transmission in place of 3-pin. 5-pin DMX fixtures may be implemented in a 3-pin DMX line. When inserting standard 5-pin data cables in to a 3-pin line a cable adaptor must be used, these adaptors are readily available at most electric stores. The chart below details a proper cable conversion.

3-Pin XLR to 5-Pin XLR Conversion		
Conductor	3-pin XLR Female (Out)	5-pin XLR Male (In)
Ground/Shield	Pin 1	Pin 1
Data compliment (- signal)	Pin 2	Pin 2
Data True (+ signal)	Pin 3	Pin 3
Not used		Pin 4 - Do Not Use
Not used		Pin 5 - Do Not Use

DIMENSIONS



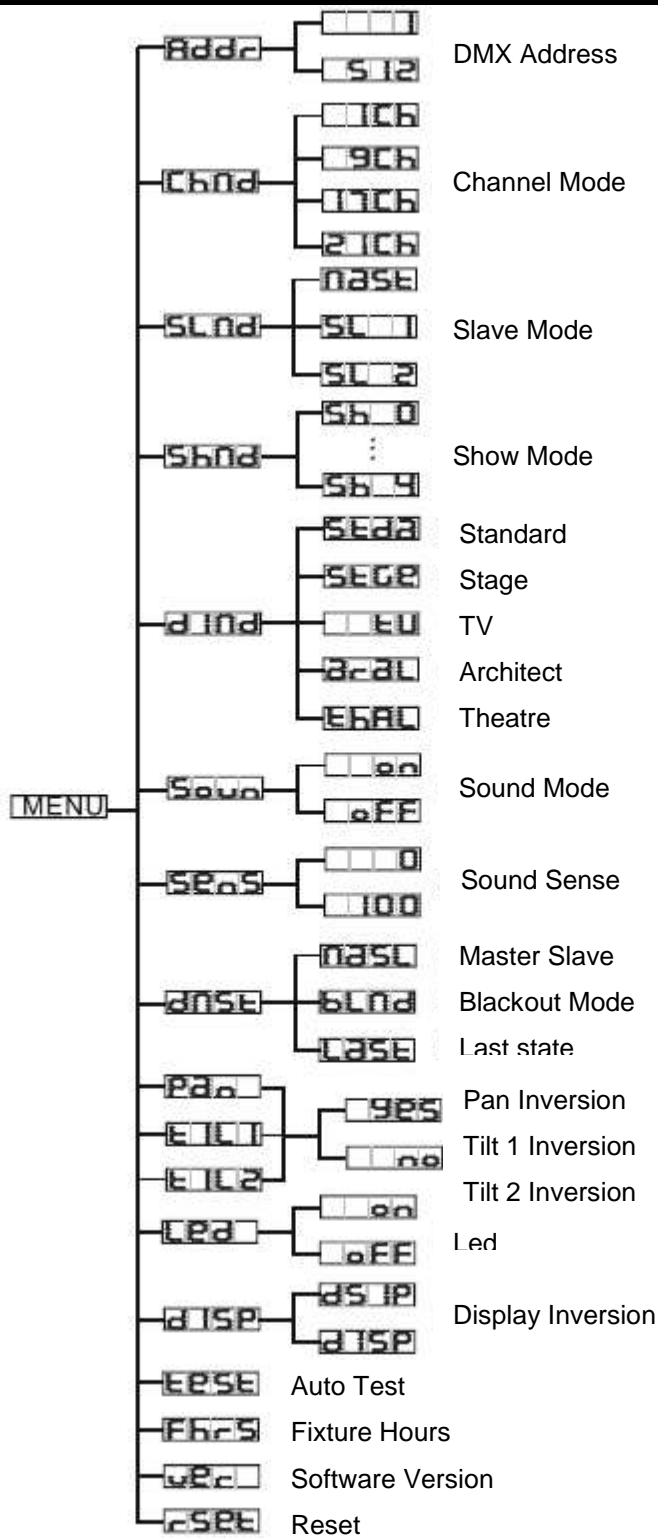


- 1. IR receiver: To receive the IR signal;
- 2. MIC: Used to receive music for sound active;
- 3. Button:

MENU	To select the programming function s
▼ DOWN	To go backward in the selected functions
▲ UP	To go forward in the selected functions
ENTER	To confirm the selected functions

- 4. Function Display: Used to show the various menus and the selected functions;
- 5. DMX IN/OUT: For DMX512 links, use 3-pin XLR plug cable to translate the DMX signa l;
- 6. POWER IN: Used to connect to power supply.

SYSTEM MENU



SYSTEM MENU (continued)

System Menu: When making adjustments press ENTER to confirm your setup then press and hold the MENU button for at least 3 seconds. To exit without making any adjustments press the MENU button. The display will lock after 30 seconds, press the MENU button for 3 seconds to unlock.

ADDR - DMX Address Setting.

1. Press the either the MENU, UP, or DOWN buttons until “**ADDR**” is displayed, press ENTER.
2. The current address will now be displayed and flashing. Press the UP or DOWN buttons to find your desired address. Press ENTER to set your desired DMX address.

CHND - This will let select your desired DMX channel mode.

1. Press the MENU button until “**CHND**” is displayed, press ENTER. The current DMX channel mode will be displayed
2. Press the UP or DOWN buttons to find your desired DMX channel mode and press ENTER to confirm and exit.

SLND - This will let you set unit as a master or slave in a master/slave configuration.

1. Press the MENU button until “**SLND**” is displayed, press ENTER. Either “**MAST**”, “**SL 1**”, or “**SL 2**” will be displayed.
2. Press the UP or DOWN buttons until your desired setting is displayed, press ENTER to confirm.

Note: In a Master/Slave configuration you can set one fixture to Master and then set the next fixture to “**SL 2**”, the fixtures will now have contrast movement to each other.

SHND - Show modes 1-4 (Factory programs). Show mode can run with or without sound active mode active.

1. Press the MENU button until “**SHND**” is displayed, press ENTER.
2. “**Sh X**” will now be displayed, “**X**” representing a number between 1-4. Use the UP or DOWN buttons to find your desired show.
3. When you have found your desired show press ENTER, then press and hold the MENU button for at least 3 seconds to activate.

DIND - This will let select your desired dimmer curve.

1. Press the either the MENU button until “**DIND**” is displayed, press ENTER. 1 of 5 dimmer curves will be displayed. “**STDA**” (standard), “**STGE**” (stage), “**TV**” (TV), “**ARAL**” (theatrical), or “**THAL**” (Architectural).
2. Press the UP or DOWN buttons to find your desired dimmer curve and press ENTER to confirm and exit.

SOUN - Sound Active mode.

1. Press the MENU button until “**SOUN**” is displayed, press ENTER.
2. The display will show either “**ON**” or “**OFF**”. Press the UP or DOWN buttons to select “**ON**” to activate sound active mode, or “**OFF**” to deactivate sound active mode.
3. Press ENTER to confirm.

SENS - In this mode you can adjust the sound sensitivity.

1. Press the MENU button until “**SENS**” is displayed, press ENTER.
2. A number between 0-100 will be displayed. Press the UP or DOWN buttons to adjust the sound sensitivity. 0 being the least sensitive, and 100 being the most sensitive.
3. When you have found your desired setting press ENTER to confirm.

DNST - This mode can be used as a precaution mode, that in case the DMX signal is lost, interrupted, or power is lost, the operating mode chosen in the setup is the running mode the fixture will go into when the DMX signal is lost. You can also set this as the operating mode you would like the unit to return to when power is applied.

1. Press the MENU button until “**DNST**” is displayed, and either “**MASL**”, “**BLND**”, or “**LAST**” will be displayed beneath.

SYSTEM MENU (continued)

2. Press ENTER and the bottom choice will begin to flash. Use the UP or DOWN buttons to choose an operating mode you would like the unit to start up in when power is applied or the DMX signal is lost.

- **LAST** - If the DMX signal is lost the fixture will stay in the last DMX setting. If power is applied and this mode is set, the unit will automatically go into the last DMX set up.

- **MASL** (Master Slave) - If the DMX signal is lost or power is applied, the unit will automatically go into Master Slave mode and run a built-in show.

- **BLND** (Blackout) - If the DMX signal is lost or interrupted, the unit will automatically go into stand by mode.

3. Press ENTER to confirm your desired set up.

PAN - Pan Inversion

1. Press the MENU button until “**PAN**” is displayed, press ENTER. Either “**Yes**” or “**No**” will be displayed.

2. To activate the Pan inversion press the UP or DOWN buttons until “**Yes**” is displayed, press ENTER to confirm. To deactivate Pan inversion, select “**No**” and press Enter.

TIL 1 - Tilt Inversion for Bar 1 (Top Bar)

1. Press the MENU button until “**TIL 1**” is displayed, press ENTER. Either “**Yes**” or “**No**” will be displayed.

2. To activate the tilt inversion press the UP or DOWN buttons until “**Yes**” is displayed, press ENTER to confirm. To deactivate tilt inversion, select “**No**” and press Enter.

TIL 2 - Tilt Inversion for Bar 2 (Bottom Bar)

1. Press the MENU button until “**TIL 1**” is displayed, press ENTER. Either “**Yes**” or “**No**” will be displayed.

2. To activate the tilt inversion press the UP or DOWN buttons until “**Yes**” is displayed, press ENTER to confirm. To deactivate tilt inversion, select “**No**” and press Enter.

LED - With this function you can have the LED display turn off after 10 seconds.

1. Press the MENU button until “**LED**” is displayed, press ENTER.

2. The display will show either “**ON**” or “**OFF**”. Press the UP or DOWN buttons to select “**ON**” to keep the LED display on at all times, or “**OFF**” to switch to have the LED display switch off after 10 seconds.

DISP - This function will reverse the display 180°.

1. Press the MENU button until “**DISP**” is displayed, press ENTER.

2. Press ENTER to “flip” the display. Press ENTER to “flip” it again. Press ENTER when you have made your desired setup.

TEST - This function will run a self test program.

1. Press the MENU button until “**TEST**” is displayed, press ENTER.

2. The fixture will now run a self test.

FHRS - With this function you can display the running time of the unit.

1. Press the MENU button until “**FHRS**” is displayed, press ENTER.

2. The running time of the fixture will now be displayed. Press MENU to exit.

VER - Use this function to display the Software version of the unit.

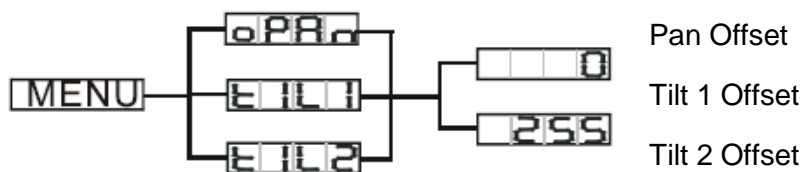
1. Press the either the MENU button until “**VER**” is displayed, press ENTER.

2. The display will show the software version.

RSET - This function will reset the unit.

1. Press the MENU button until “**RSET**” is displayed. Press the ENTER button and the unit will reset itself.

OFFSET SUBMENU



To enter the Offset Menu, press the ENTER button for at least 3 seconds. In this submenu you are able to adjust the home positions of the pan & tilt motor.

Pan Offset - Adjustment of the pan home position.

1. Press the ENTER button for at least 3 seconds, then press the UP or DOWN buttons so that “oPan” is displayed, and press ENTER.
2. Use the UP and DOWN buttons to make your adjustments, and then press ENTER to confirm. Press the MENU button for one second to exit.

Tilt 1 Offset - Adjustment of the tilt home position for the 1 (top) bar.

1. Press the ENTER button for at least 3 seconds, then press the UP or DOWN buttons so that “Til 1” is displayed, and press ENTER.
2. Use the UP and DOWN buttons to make your adjustments, and then press ENTER to confirm. Press the MENU button for one second to exit.

Tilt 2 Offset - Adjustment of the tilt home position for the 2 (bottom) bar.

1. Press the ENTER button for at least 3 seconds, then press the UP or DOWN buttons so that “Til 2” is displayed, and press ENTER.
2. Use the UP and DOWN buttons to make your adjustments, and then press ENTER to confirm. Press the MENU button for one second to exit.

OPERATION

Operating Modes: The Crazy Pocket 8 can operate in three different modes. In each mode you can run the fixture as a stand alone fixture or in a master/slave configuration. This next section will detail the differences in the operating modes.

Universal DMX Control: This function allows you to use a universal DMX-512 controller to control the chases and patterns, dimmer and strobe. A DMX controller allows you to create unique programs tailored to your individual needs.

1. The Crazy Pocket 8 has 4 DMX Channel modes; 1 Channel, 9 Channels, 17 Channels, & 21 Channels. See pages 13-16 for detailed description of the DMX values and traits.
2. To control your fixture in DMX mode, follow the set-up procedures on pages 5-6 as well as the set-up specifications that are included with your DMX controller.
3. Use the controller’s faders to control the various DMX fixture traits.
4. This will allow you to create your own programs.
5. Follow the instructions on page 9 to select your desired DMX channel mode and to set the DMX address.
6. For longer cable runs (more than a 100 feet) use a terminator on the last fixture.
7. For help operating in DMX mode consult the manual included with your DMX controller.

Sound Active Mode: This mode allows either single unit or several units linked together, to run to the beat of the music.

1. Press the MENU button until “SOUN” is displayed, and press ENTER.
2. Press the UP or DOWN button so that “ON” is displayed. The unit will now run to the beat of the music.
3. The sound sensitivity can be adjusted by pressing the MENU button until “SENS” is displayed, and then press ENTER. Use the UP or DOWN buttons to adjust the sound sensitivity, 1 being the least sensitive, and 100 being the most sensitive.

OPERATION (continued)

Show Mode: In this mode you can choose 1 of 4 show modes to run.

1. Press the MENU button until “**SHND**” is displayed, and press ENTER.
2. Press the UP or DOWN buttons until you find your desired show, and press ENTER then press and hold MENU for 3 seconds to confirm.

MASTER-SLAVE CONFIGURATION

Master-Slave Operation This function will allow you to link up to 16 units together and operate without a controller. In a Master-Slave set up one unit will act as the controlling unit and the others will react to the controlling units programs. Any unit can act as a Master or as a Slave.

1. Using approved DMX data cables, daisy chain your units together via the XLR connector on the rear of the units. Remember the Male XLR connector is the input and the Female XLR connector is the output. The first unit in the chain (master) will use the female XLR connector only - The last unit in the chain will use the male XLR connector only. For longer cable runs we suggest a terminator at the last fixture.
2. For the Master unit press the MENU button until “**SLND**” is displayed, and press ENTER. Set the unit to “**MAST**” and press ENTER.
3. Next set the Master to your desired operating mode.
4. For the slave units press the MENU button until “**SLND**” is displayed, and press ENTER. Set the slave units to either “**SL 1**” or “**SL 2**”.
5. The slave units will now follow the Master unit.

UC IR CONTROL

The **UC IR (sold separately)** infrared remote gives you control of various functions (See below). To control the fixture you must aim the remote at the front of the fixture and be no more than 30 feet away.

The Crazy Pocket 8 comes with the **Airstream IR** remote transmitter. The transmitter plugs into the headphone jack of your iOS phone or tablet. To control your IR fixture you must raise the volume to the maximum on your iOS phone or table and aim the transmitter at the front of the fixture and be no more than 15 feet away. After you have purchased the Airstream IR transmitters, the app is a free download from the app store for your iOS phone or tablet. The app comes with 3 pages of control depending on the IR fixture you are using. Please see below for IR functions including the corresponding app page.

Works with App page 1.

STAND BY - Pressing this button will blackout the fixture.

FULL ON - Hold this button down to fully light up the unit. When you let the button go, the unit will return to its previous state.

FADE/GOBO - This button is invalid for this fixture.

“DIMMER +” and “DIMMER -” - These buttons are used to adjust the output intensity.

STROBE - Press and hold this button for random strobing. Press the button to activate sound active strobing.

COLOR - Press this button and use buttons 1-4 to select either of the RGBW colors.

1-9 - When in color or show mode these buttons will allow you to select your desired color or show. See Color or Show for more info.

SOUND ON & OFF - These buttons activate and deactivate the sound active mode.

SHOW 0 - This activates the show mode. Press the Show 0 button to activate random show mode, or use buttons 1-4 to select a preset show.

1 CHANNEL MODE

Channel	Value	Function
1	0 - 7 8 - 69 70 - 131 132 - 193 194 - 247 248 - 255	SHOWS BLACKOUT SHOW 1 SHOW 2 SHOW 3 SHOW 4 SHOW 0

9 CHANNEL MODE

Channel	Value	Function
1	0 - 255	PAN
2	0 - 255	TILT HEAD 1
3	0 - 255	TILT HEAD 2
4	0 - 7 8 - 131 132 - 139 140 - 181 182 - 189 190 - 231 232 - 239 240 - 247 248 - 255	SHUTTER/STROBE OPEN STROBING SLOW - FAST OPEN SLOW OPEN - FAST CLOSE OPEN FAST OPEN - SLOW CLOSE OPEN SOUND ACTIVE STROBE OPEN
5	0 - 255	MASTER DIMMER 0% - 100%
6	0 - 7 8 - 22 23 - 37 38 - 52 53 - 67 68 - 82 83 - 97 98 - 112 113 - 127 128 - 142 143 - 157 158 - 172 173 - 187 188 - 202 203 - 217 218 - 232 233 - 247 248 - 255	CHASES BLACKOUT CHASE 1 CHASE 2 CHASE 3 CHASE 4 CHASE 5 CHASE 6 CHASE 7 CHASE 8 CHASE 9 CHASE 10 CHASE 11 CHASE 12 CHASE 13 CHASE 14 CHASE 15 CHASE 16 FULL ON
7	0 - 255	CHASE SPEED SLOW - FAST
8	0 - 255	PAN/TILT 1/ TILT 2 SPEED FAST - SLOW

9 CHANNEL MODE (continued)

Channel	Value	Function
9	0 - 69	RESET/BLACKOUT
	70 - 79	NOTHING
	80 - 89	BLACKOUT W/ PAN/TILT MOVEMENT
	90 - 99	RESET TILT 1
	100 - 109	RESET TILT 2
	110 - 199	RESET PAN
	200 - 209	NOTHING
	210 - 255	RESET ALL
		NOTHING

17 CHANNEL MODE

Channel	Value	Function
1	0 - 255	PAN
2	0 - 255	PAN FINE
3	0 - 255	TILT HEAD 1
4	0 - 255	TILT HEAD 1 FINE
5	0 - 255	TILT HEAD 2
6	0 - 255	TILT HEAD 2 FINE
7	0 - 255	RED 0% - 100%
8	0 - 255	GREEN 0% - 100%
9	0 - 255	BLUE 0% - 100%
10	0 - 255	AMBER 0% - 100%
11	0 - 7	SHUTTER/STROBE
	8 - 131	OPEN
	132 - 139	STROBING SLOW - FAST
	140 - 181	OPEN
	182 - 189	SLOW OPEN - FAST CLOSE
	190 - 231	OPEN
	232 - 239	FAST OPEN - SLOW CLOSE
	240 - 247	OPEN
	248 - 255	SOUND ACTIVE STROBE
	OPEN	
12	0 - 255	MASTER DIMMER 0% - 100%
13	0 - 7	CHASES
	8 - 22	BLACKOUT
	23 - 37	CHASE 1
	38 - 52	CHASE 2
	53 - 67	CHASE 3
	68 - 82	CHASE 4
	83 - 97	CHASE 5
	98 - 112	CHASE 6
	113 - 127	CHASE 7
	128 - 142	CHASE 8
	143 - 157	CHASE 9
	158 - 172	CHASE 10
	CHASE 11	

17 CHANNEL MODE (continued)

Channel	Value	Function
13	173 - 187 188 - 202 203 - 217 218 - 232 233 - 247 248 - 255	CHASES CHASE 12 CHASE 13 CHASE 14 CHASE 15 CHASE 16 FULL ON
14	0 - 255	CHASE SPEED SLOW - FAST
15	0 - 255	PAN/TILT 1/ TILT 2 SPEED FAST - SLOW
16	0 - 69 70 - 79 80 - 89 90 - 99 100 - 109 110 - 199 200 - 209 210 - 255	RESET/BLACKOUT NOTHING BLACKOUT W/ PAN/TILT MOVEMENT RESET TILT 1 RESET TILT 2 RESET PAN NOTHING RESET ALL NOTHING
17	0 - 20 21 - 40 41 - 60 61 - 80 81 - 100 101 - 255	DIMMER MODE STANDARD STAGE TV ARCHITECTURAL THEATRE DEFAULT DIMMER SETTING

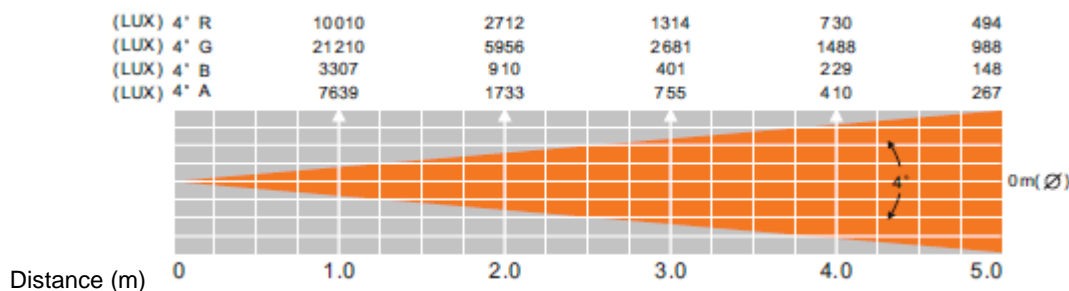
21 CHANNEL MODE

Channel	Value	Function
1	0 - 255	PAN
2	0 - 255	PAN FINE
3	0 - 255	TILT HEAD 1
4	0 - 255	TILT HEAD 1 FINE
5	0 - 255	TILT HEAD 2
6	0 - 255	TILT HEAD 2 FINE
7	0 - 255	RED ROW 1 0% - 100%
8	0 - 255	GREEN ROW 1 0% - 100%
9	0 - 255	BLUE ROW 1 0% - 100%
10	0 - 255	AMBER ROW 1 0% - 100%
11	0 - 255	RED ROW 2 0% - 100%
12	0 - 255	GREEN ROW 2 0% - 100%
13	0 - 255	BLUE ROW 2 0% - 100%
14	0 - 255	AMBER ROW 2 0% - 100%

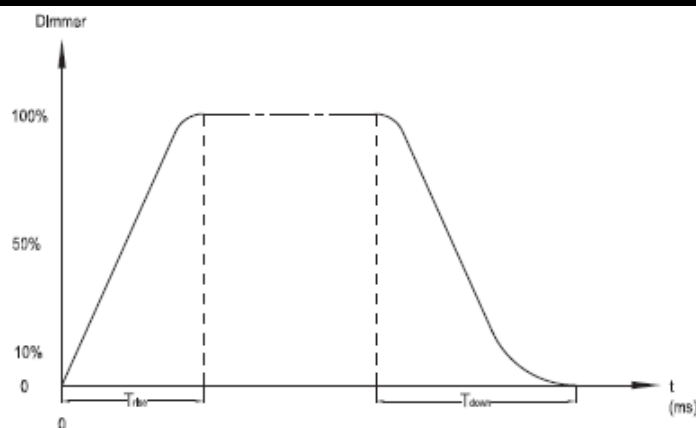
21 CHANNEL MODE (continued)

Channel	Value	Function
15	0 - 7 8 - 131 132 - 139 140 - 181 182 - 189 190 - 231 232 - 239 240 - 247 248 - 255	SHUTTER/STROBE OPEN STROBING SLOW - FAST OPEN SLOW OPEN - FAST CLOSE OPEN FAST OPEN - SLOW CLOSE OPEN SOUND ACTIVE STROBE OPEN
16	0 - 255	MASTER DIMMER 0% - 100%
17	0 - 7 8 - 22 23 - 37 38 - 52 53 - 67 68 - 82 83 - 97 98 - 112 113 - 127 128 - 142 143 - 157 158 - 172 173 - 187 188 - 202 203 - 217 218 - 232 233 - 247 248 - 255	CHASES BLACKOUT CHASE 1 CHASE 2 CHASE 3 CHASE 4 CHASE 5 CHASE 6 CHASE 7 CHASE 8 CHASE 9 CHASE 10 CHASE 11 CHASE 12 CHASE 13 CHASE 14 CHASE 15 CHASE 16 FULL ON
18	0 - 255	CHASE SPEED SLOW - FAST
19	0 - 255	PAN/TILT 1/ TILT 2 SPEED FAST - SLOW
20	0 - 69 70 - 79 80 - 89 90 - 99 100 - 109 110 - 199 200 - 209 210 - 255	RESET/BLACKOUT NOTHING BLACKOUT W/ PAN/TILT MOVEMENT RESET TILT 1 RESET TILT 2 RESET PAN NOTHING RESET ALL NOTHING
21	0 - 20 21 - 40 41 - 60 61 - 80 81 - 100 101 - 255	DIMMER MODE STANDARD STAGE TV ARCHITECTURAL THEATRE DEFAULT DIMMER SETTING

PHOTOMETRIC CHART



DIMMER CURVE CHART



Ramp Effect	0 255 0S (FadeTime)		0 255 1S (FadeTime)	
	T rise (ms)	Tdown (ms)	T rise (ms)	Tdown (ms)
Standard	0	0	0	0
Stage	780	1100	1540	1660
TV	1180	1520	1860	1940
Architectural	1380	1730	2040	2120
Theatre	1580	1940	2230	2280

FUSE REPLACEMENT

Disconnect the unit from its power source. Remove the power cord from the unit. Once the cord has been removed, you will find that the fuse holder is located inside the power socket. Insert a flat-head screw driver into the power socket and gently pry out the fuse holder. Remove the bad fuse and replace with a new one. The fuse holder also has a holder for a spare fuse.

CLEANING

Fixture Cleaning: Due to fog residue, smoke, and dust cleaning the internal and external optical lenses and mirror should be carried out periodically to optimize light output. Cleaning frequency depends on the environment in which the fixture operates (i.e. smoke, fog residue, dust, dew). In heavy club use we recommend cleaning on a monthly basis. Periodic cleaning will ensure longevity, and crisp output.

1. Use normal glass cleaner and a soft cloth to wipe down the outside casing.
2. Use a brush to wipe down the cooling vents and fan grill.
3. Clean the external optics and mirror with glass cleaner and a soft cloth every 20 days.
4. Clean the internal optics with glass cleaner and a soft cloth every 30-60 days.
5. Always be sure to dry all parts completely before plugging the unit back in.

TROUBLE SHOOTING

Trouble Shooting: Listed below are a few common problems that you may encounter, with solutions.

No light output from the unit:

1. Be sure the external fuse has not blown. The fuse is located on the rear panel of the unit.
2. Be sure the fuse holder is completely and properly seated.

Unit does not respond to sound;

1. Low frequencies (bass) should cause the unit to react to sound. Tapping on the microphone, quiet or high pitched sounds may not activate the unit.

SPECIFICATIONS

Model:	Crazy Pocket 8
Voltage:	100 ~ 240V, 50~60Hz
LEDs:	8 x 3W RGBA LEDs (2 x Red, 2 x Green, 2 x Blue, & 2 x Amber)
Power Consumption:	59W
Beam Angle:	4 Degrees
Dimensions:	11.75"(L) x 6"(W) x 10.25"(H) 298 x 149 x 262mm
Colors:	RGBA
Weight:	8 Lbs. / 3,5 kgs.
Fuse:	2A
Duty Cycle:	None
DMX Modes:	4 DMX Channel Modes: 1 Channel Mode, 9 Channel Mode, 17 Channel Mode, & 21 DMX Channels
Working Position:	Any Safe, Secure Position

Auto Sensing Voltage: This fixture contains a automatic voltage switch, which will auto sense the voltage when it is plugged into the power source.

Please Note: Specifications and improvements in the design of this unit and this manual are subject to change without any prior written notice.

ROHS - A great Contribution to the Conservation of Environment

Dear Customer,

The European Union has adopted a directive on the restriction / prohibition of the use of hazardous substances. This directive, referred to as ROHS, is a frequently discussed topic in the electronic industry.

It restricts, among other things, six materials: Lead (Pb), Mercury (Hg), hexavalent chromium (CR VI), cadmium (Cd), polybrominated biphenyls as flame retardant (PBB), polybrominated diphenyl, also a flame retardant (PBDE). The directive applies to nearly all electronic and electrical devices whose mode of operation involves electric or electromagnetic fields – in short: each kind of electronics we have around us in our households or at work.

As manufacturers of products of the brands of AMERICAN AUDIO, AMERICAN DJ, ELATION Professional and ACCLAIM Lighting, we are obligated to comply with the RoHS directive. Therefore, as early as two years prior to the directive coming into force, we started our search for alternative environmentally friendly materials and manufacturing processes.

Well before the RoHS directive took effect, all of our products were manufactured meeting the standards of the European Union. With regular audits and material tests we can still assure that the components we use are always RoHS-compliant and that the manufacturing process, as far as the state of technology allows, is environmentally friendly.

The ROHS directive is an important step to the protection of our environment. We, as manufactures, feel obligated to make our contribution in this respect.

WEEE – Waste of Electrical and Electronic Equipment

Every year thousands of tonnes of electronic components, which are harmful to the environment, end up at the waste disposals around the world. To ensure the best possible disposal or recovery of electronic components, the European Union has adopted the WEEE directive.

The WEEE-system (Waste of Electrical and Electronic Equipment) can be compared with the system of the “Green Spot”, which has been in use for several years. The manufactures have to make their contribution to the utilization of waste at the time they release the product. Money resources obtained by doing so will be applied to develop a common system of waste management. Thereby we can ensure professional and environmentally friendly scraping and recycling program.

As manufactures, we are part of the German system of EAR and we make our contribution towards it.

(Registration in Germany: DE41027552)

That means that products of AMERICAN DJ and AMERICAN AUDIO can be left in the collection points free of charge and they will be used in the recycling program. Products of ELATION Professional, which are used only by professionals, shall be handled by us. Please send Elation products directly to us at the end of their lifetime so that we can professionally dispose of them.

Like the above ROHS, the WEEE directive is an important contribution to the environment protection and we are glad to help to clean the environment with this disposal system.

We are happy to answer any of your inquiries and welcome your suggestions at: info@americandj.eu

A.D.J. Supply Europe B.V.
Junostraat 2
6468 EW Kerkrade
The Netherlands
www.americandj.eu